

NOZZLE TIP ASSEMBLY

For quick and easy installation of spray tips, Lurmark can provide a four piece system consisting of interchangeable nozzle bodies nozzle filters, spray tips and cap nuts, all designed to suit your specific application. Available in a range of materials to suit both moulded and metal spray tips, the Lurmark system reduces downtime when changing tips to produce different spray patterns or replacing worn spray nozzles.



NOZZLE HOLDERS

Available as threaded, split eyelet, clamp style, swivel and adjustable ball type design, Lurmark's nozzle holders are available in a range of thread types and materials. All connections are BSP thread, however, NPT and UNF threads are available on request.



Standard Threaded Holders (left) male - (right) female



Clamp Style Threaded Holders (left) Standard Clamp - (centre) Rectangular Clamp - (right) DCV



Swivel Holders (left) Single-Standard - (right) Double Standard



Swivel Holders (left) Double complete with shut-off - (right) Single complete with shut-off

THREADED HOLDERS - STANDARD - MALE VERSION

CONNECTION	OUTLET	MATERIAL	Part Number
1/8" BSPT	3/8" BSP	Polyacetal	27-Q2470
1/4" BSPT	3/8" BSP	Polyacetal	27-Q2471
1/8" BSPT	3/8" BSP	Brass	241010-M
1/4" BSPT	3/8" BSP	Brass	2410104M
3/8" BSPT	3/8" BSP	Brass	2410103M
1/8" BSPT	3/8" BSP	PVDF	27PQ2470
1/4" BSPT	3/8" BSP	PVDF	27PQQ2471
1/8" BSPT	3/8" BSP	Stainless Steel (303)	311010-M
1/4" BSPT	3/8" BSP	Stainless Steel (303)	3110104M
3/8" BSPT	3/8" BSP	Stainless Steel (303)	3110103M

THREADED HOLDERS - STANDARD - FEMALE VERSION

CONNECTION	OUTLET	MATERIAL	Part Number
1/8" BSP	3/8" BSP	Polyacetal	27-Q2474
1/4" BSP	3/8" BSP	Polyacetal	27-Q2475
1/8" BSPT	3/8" BSP	Brass	241010FM
1/4" BSP	3/8" BSP	Brass	241014FM
1/4" BSPT	3/8" BSP	Brass	241010FM
3/8" BSP	3/8" BSP	Brass	241013FM
1/4" BSP	3/8" BSP	Stainless Steel (303)	311014FM
1/4" BSPT	3/8" BSP	Stainless Steel (303)	311010FM

THREADED HOLDERS - CLAMP STYLE

CLAMP SIZE	OUTLET	MATERIAL	Part Number
1/2" Clamp	3/8" BSP(M)	Polypropylene	27101612
3/4" Clamp	3/8" BSP(M)	Polypropylene	27101634
1/2" Rectangular	3/8" BSP(M)	Polypropylene	27101712
3/4" Rectangular	3/8" BSP(M)	Polypropylene	27101734
1/2" Rectangular	1/8" BSP(F)	Polypropylene	701Q1975
1/2" Rectangular	1/4" BSP(F)	Polypropylene	702Q1975
3/4" Rectangular	1/8" BSP(F)	Polypropylene	703Q1975
3/4" Rectangular	1/4" BSP(F)	Polypropylene	704Q1975
1/2" Clamp	3/8" BSP(M)	Polypropylene	25DC1083*
3/4" Clamp	3/8" BSP(M)	Polypropylene	25DC1086*
1/2" Rectangular	3/8" BSP(M)	Polypropylene	25DC1084*
3/4" Rectangular	3/8" BSP(M)	Polypropylene	25DC1087*

* c/w DCV at 1 bar

SWIVEL HOLDERS

CONNECTION	OUTLET	MATERIAL	Part Number
Single-Standard			
1/4" BSP(F)	3/8" BSP(M)	Brass	241019SS
1/4" BSP(F)	3/8" BSP(M)	Polyacetal	01404070
3/8" BSP(F)	3/8" BSP(M)	Polyacetal	01404080
Double - Standard			
1/4" BSP(F)	3/8" BSP(M)	Polyacetal	241019DS
1/4" BSP(F)	3/8" BSP(M)	Polyacetal	01404170
3/8" BSP(F)	3/8" BSP(M)	Polyacetal	01404180
Single - Complete with Shut-Off			
1/4" BSP(F)	3/8" BSP(M)	Brass	27302492
Double - Complete with Shut-Off			
1/4" BSP(F)	3/8" BSP(M)	Polyacetal	27302489

CAP NUTS

SIZE	MATERIAL	Part Number
1/4" BSP	Brass	E2Q1275
3/8" BSP	Polypropylene (Grey)	251032GY
3/8" BSP	Polypropylene (White)	251032WH
3/8" BSP	Polypropylene (Black)	251032BL
3/8" BSP	Brass	241030 - -
3/8" BSP	303 Stainless Steel	311030SS
3/4" BSP	Brass	B1E5Q3474
3/4" BSP	Polypropylene	14EQ2185
1" BSP	Brass	28-Q2142

ADJUSTABLE NOZZLE HOLDERS

These holders have a ball that can be rotated to direct the spray up to 54° in any direction. Bodies are fibre-glass reinforced polypropylene for strength and the rotating balls are effectively sealed with an O-ring. Gaskets are EPDM (standard) or Viton® (on request). Maximum operating pressure is 10 bar.

HAND-LOCK ADJUSTABLE NOZZLE HOLDER



- Clips into spray bar hole, no tools needed
- Ball threads accept 1/8", 1/4" and 3/8" NPT nozzles (F1)
- Interchangeable pipe inserts (F) available in different sizes (10,14 and 17mm)

Hypro Part No.	Colour of ball	F1	F	D*	A	B	C
6140857BN	Green	1/8" NPT	10	1"	62	39	67
6140867BN	Yellow	1/4" NPT					
6140877BN	Blue	3/8" NPT					
6140857CN	Green	1/8" NPT	14				
6140867CN	Yellow	1/4" NPT					
6140877CN	Blue	3/8" NPT					
6140857DN	Green	1/8" NPT	17				
6140867DN	Yellow	1/4" NPT					
6140877DN	Blue	3/8" NPT					
6140858BN	Green	1/8" NPT	10	1 1/4"	67	43	72
6140868BN	Yellow	1/4" NPT					
6140878BN	Blue	3/8" NPT					
6140858CN	Green	1/8" NPT	14				
6140868CN	Yellow	1/4" NPT					
6140878CN	Blue	3/8" NPT					
6140858DN	Green	1/8" NPT	17				
6140868DN	Yellow	1/4" NPT					
6140878DN	Blue	3/8" NPT					
6140859BN	Green	1/8" NPT	10	1 1/2"	71	46	75
6140869BN	Yellow	1/4" NPT					
6140879BN	Blue	3/8" NPT					
6140859CN	Green	1/8" NPT	14				
6140869CN	Yellow	1/4" NPT					
6140879CN	Blue	3/8" NPT					
6140859DN	Green	1/8" NPT	17				
6140869DN	Yellow	1/4" NPT					
6140879DN	Blue	3/8" NPT					

* Nominal bore of pipe

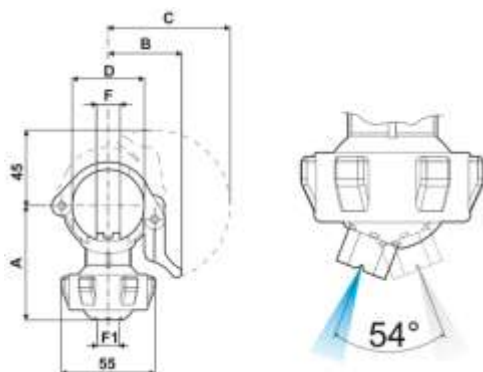
THREADED ADJUSTABLE NOZZLE HOLDER

Hypro Part No.	Colour of ball	F1	F
614080B0N	Green	1/8" NPT	1/4" NPT
614081B0N	Yellow	1/4" NPT	
614082B0N	Blue	3/8" NPT	
614080C0N	Green	1/8" NPT	3/8" NPT
614081C0N	Yellow	1/4" NPT	
614082C0N	Blue	3/8" NPT	
614080D0N	Green	1/8" NPT	1/2" NPT
614081D0N	Yellow	1/4" NPT	
614082D0N	Blue	3/8" NPT	



- Ball threads accept 1/8", 1/4" and 3/8" NPT nozzle threads (F1)
- 1/4", 3/8" and 1/2" NPT threads (F) to screw directly into spray bars

Hand-lock adjustable nozzle holder dimensions:



Threaded adjustable nozzle holder dimensions:

