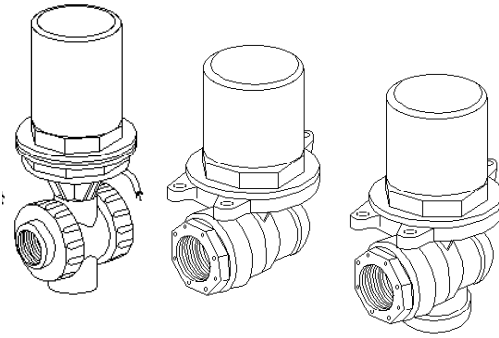


VALVES AND CONTROLS

Lurmark's range of valves and controls are suitable for a wide range of industrial applications.

Manufactured in glass reinforced polypropylene, stainless steel and brass, our range of ball valves are manual or electric with 'full bore' to minimise flow restriction and pressure loss. In addition Lurmark can also offer a full range of solenoid valves, bib taps and control panels. Please contact our sales office for additional information.



Electrically Operated Ball Valves

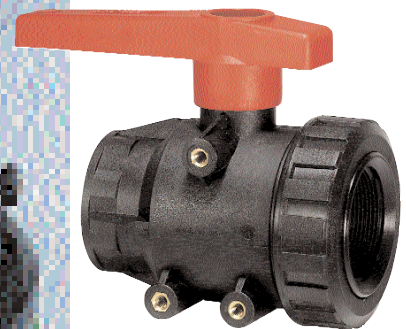
- 12v DC electrically actuated ball valves with other voltages available on request
- Main bodies for 1 1/4" & 2" models as manual valves.
- 1/2", 3/4", 1" & 1 1/4" in compact design
- Optional st/steel balls for 1/2" 3/4" 1" & 1 1/4" sizes.
- Glass filled polypropylene

Threaded Connection	Part Nos	
	2-Way	3-Way
1/2" BSP(F)	56454132	5645423
3/4" BSP(F)	56454133	56454233
1" BSP(F)	56454134	56454234
1 1/4" BSP(F)	56454135	56454235
1 1/2" BSP(F)	56454136	56454236
2" BSP(F)	56454137	56454237



Economy Series Manual Ball Valves

All glass filled polypropylene full bore 2 and 3 way ball valves, 1/2" to 2" BSP female ports



THREADED CONNECTION	PART NOS	
	2-Way	3-Way
1/2" BSP(F)	54CA2000	54CA3000
3/4" BSP(F)	54CA2001	54CA3001
1" BSP(F)	54CA2002	54CA3002
1 1/4" BSP(F)	54CA2003	54CA3003
1 1/2" BSP(F)	543-04AE	543004AE
2" BSP(F)	543-05AE	543005AE